

Fast Response
Small Size



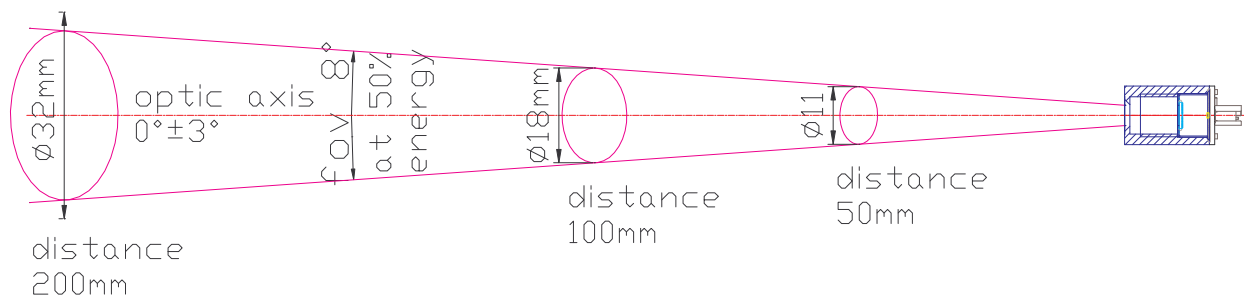
Datasheet HEIMANN Sensor Integrated Module with Lens Optics - Type HTIA-G

General information about HTIA models are described in "Datasheet HEIMANN Sensor Integrated Module HTIA" .

Field of View - Data

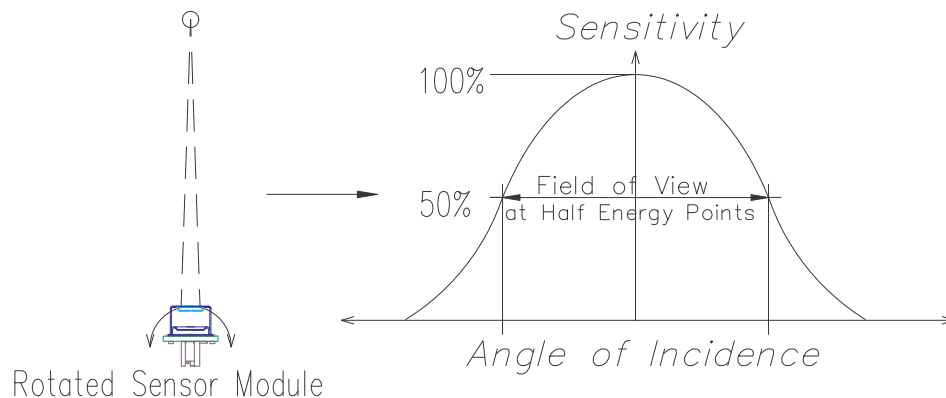
| parameter | limits | | | unit | conditions |
|---------------|--------|-----|-----|--------|-------------------|
| | Min | Typ | Max | | |
| field of view | 6 | 8 | 10 | degree | 50% energy points |

Field of View - Drawing



Field of View – Definition and Test Procedure

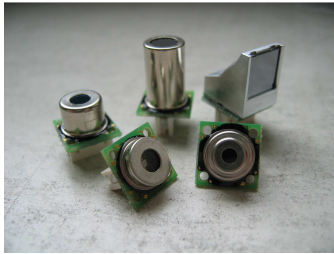
Pulsed Point Radiation Source



HEIMANN Sensor GmbH
Grenzstr. 22
D-01109 Dresden

Contact / Customer Support
Phone 49 (0) 6123 60 50 30
Fax 49 (0) 6123 60 50 39

Internet
www.heimannsensor.com
mail: info@heimannsensor.com



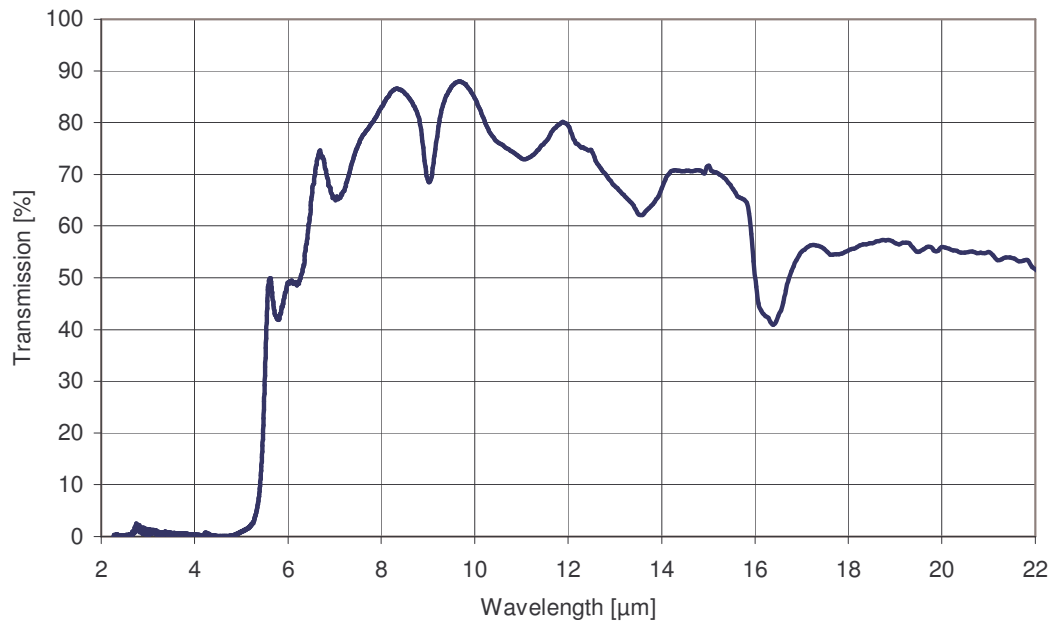
Fast Response
Small Size



Datasheet HEIMANN Sensor Integrated Module with Lens Optics - Type HTIA-G

Filter Specification

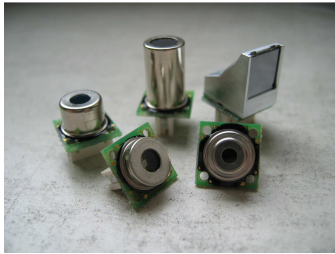
| <i>parameter</i> | <i>minimum</i> | <i>typical</i> | <i>maximum</i> |
|---|-------------------|-------------------|-------------------|
| Cut on wavelength | 5.2 μm | 5.5 μm | 5.8 μm |
| Average transmission from 7.5 μm to 13.5 μm | 70% | | |
| Average transmission from visual to 5 μm | | | 0.5% |



HEIMANN Sensor GmbH
Grenzstr. 22
D-01109 Dresden

Contact / Customer Support
Phone 49 (0) 6123 60 50 30
Fax 49 (0) 6123 60 50 39

Internet
www.heimannsensor.com
mail: info@heimannsensor.com

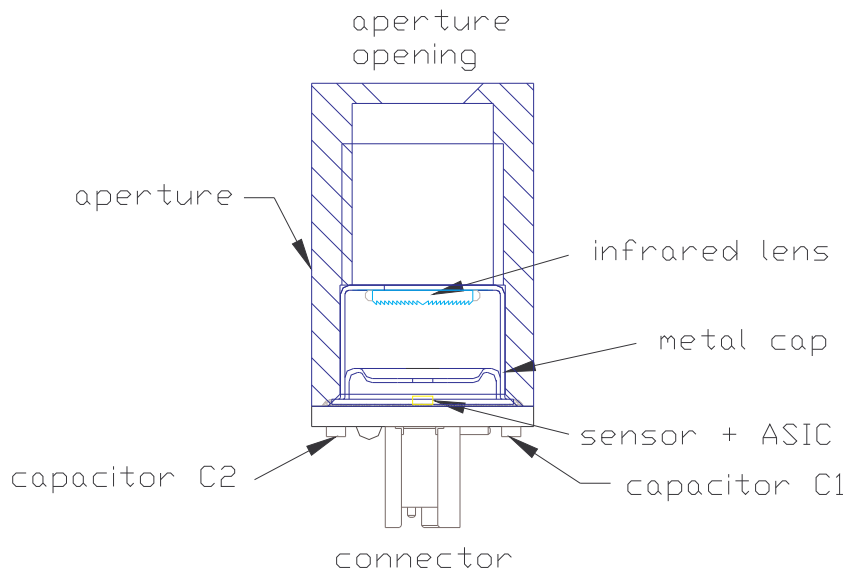


Fast Response
Small Size

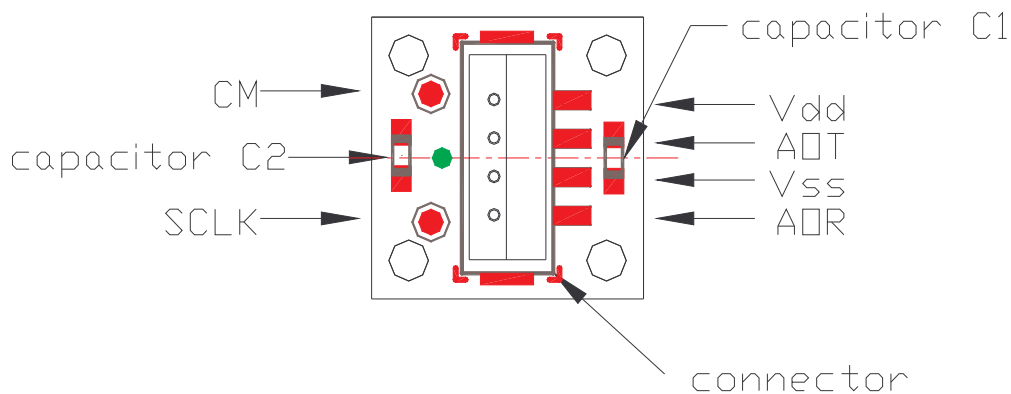


Datasheet HEIMANN Sensor Integrated Module with Lens Optics - Type HTIA-G

Mounting Arrangement



Pin / Device Configuration



- Vdd : -> Positive supply voltage (+5V)
- Vss : -> Negative supply voltage (Ground, 0V)
- AOT: -> Analog sensor output voltage
- AOR: -> Analog temperature reference output
- CM, SCLK : -> Digital, programming, adjustments
- C1: -> optional capacitor connected to Vdd and Vss
- C2: -> optional capacitor for additional low pass filtering

HEIMANN Sensor GmbH
Grenzstr. 22
D-01109 Dresden

Contact / Customer Support
Phone 49 (0) 6123 60 50 30
Fax 49 (0) 6123 60 50 39

Internet
www.heimannsensor.com
mail: info@heimannsensor.com

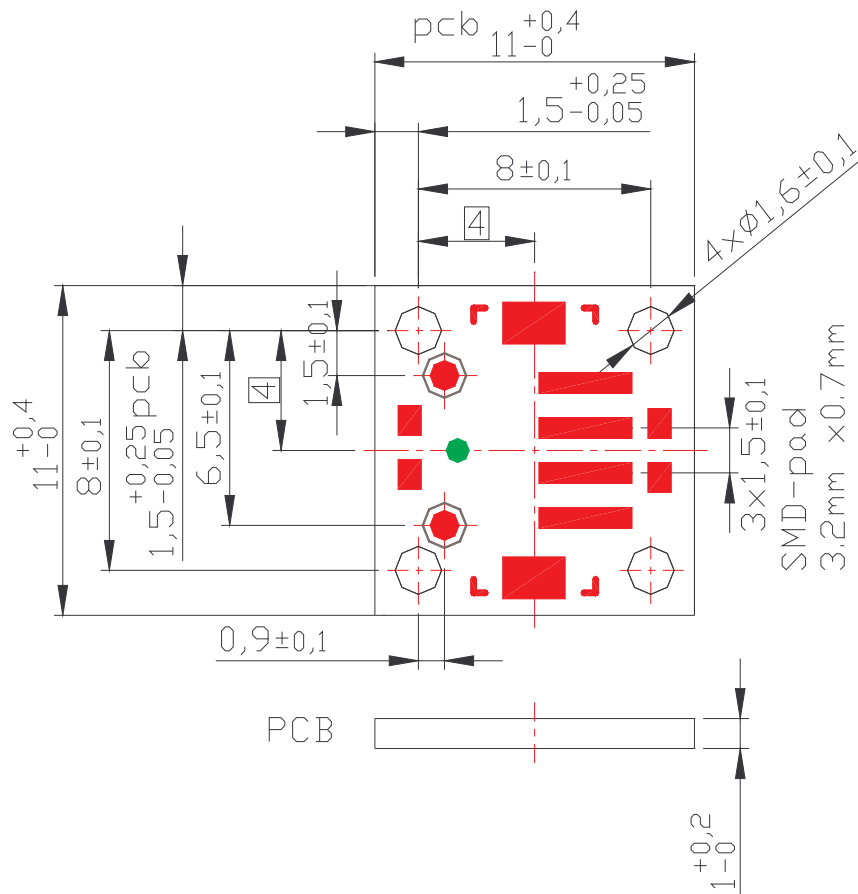


Fast Response
Small Size



Datasheet HEIMANN Sensor Integrated Module with Lens Optics - Type HTIA-G

Dimensional Drawing PCB 11x11



HEIMANN Sensor GmbH
Grenzstr. 22
D-01109 Dresden

Contact / Customer Support
Phone 49 (0) 6123 60 50 30
Fax 49 (0) 6123 60 50 39

Internet
www.heimannsensor.com
mail: info@heimannsensor.com

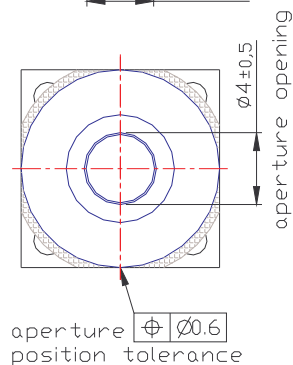
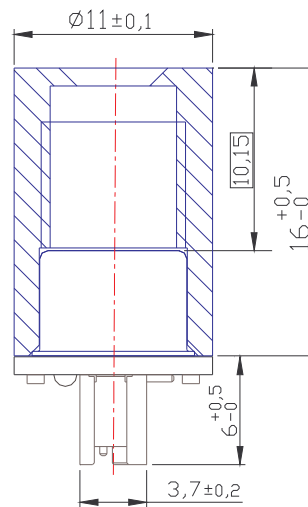
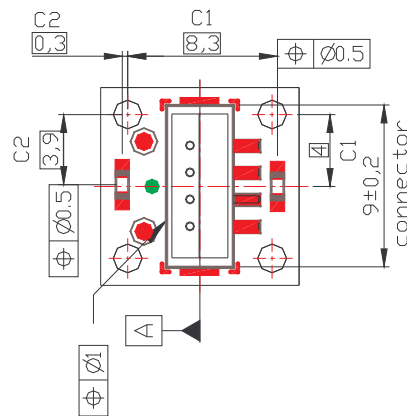


Fast Response
Small Size



Datasheet HEIMANN Sensor Integrated Module with Lens Optics - Type HTIA-G

Dimensional Drawing



HEIMANN Sensor GmbH
Grenzstr. 22
D-01109 Dresden

Contact / Customer Support
Phone 49 (0) 6123 60 50 30
Fax 49 (0) 6123 60 50 39

Internet
www.heimannsensor.com
mail: info@heimannsensor.com